

Thank You

For Choosing VantecUSA Product.

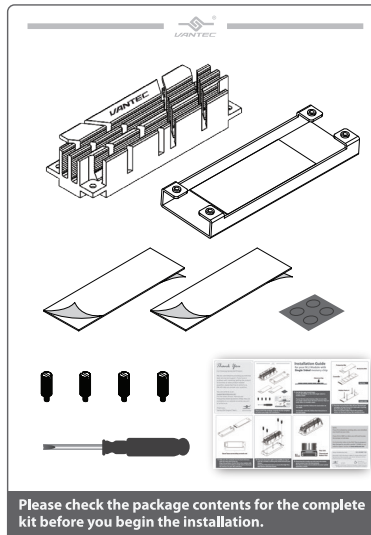
We are committed to providing you with the best service and support. If you have a problem with installing, getting the product to function or other product related question, please feel free to write to us. We will help you answer your question.

You can write to us at :

support@vantecusa.com

For the latest Drivers, Manual and Frequently Asked Questions (FAQ), they are available at our website at vantecusa.com or write to us.

Thank you,
VantecUSA Support Team.



Please check the package contents for the complete kit before you begin the installation.

Installation Guide for your M.2 Module with Single Sided memory chip

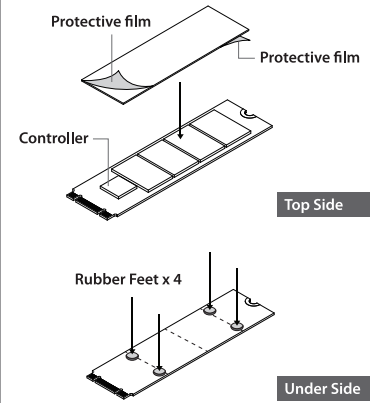


1. Decide the right Install Steps.
Is your M.2 NVMe or M.2 SSD single-sided or double-sided?

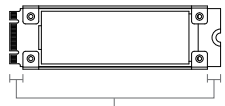
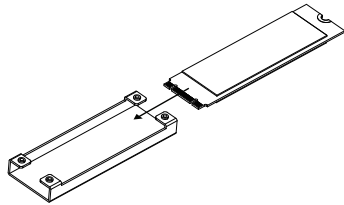
If your M.2 has only memory chips on one side, it is single-sided. If your M.2 has memory chips on both sides, it is double-sided.

For Single-sided M.2 follow the instruction on this page.

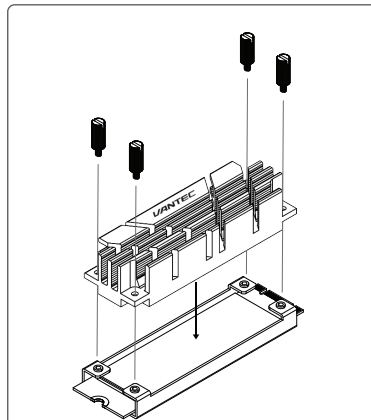
For Double-sided M.2 follow the instruction on the back page.



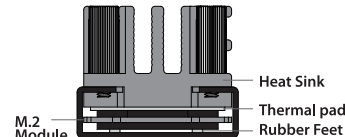
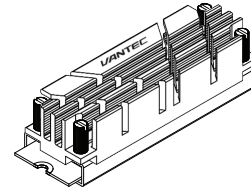
2. Peel the two protective film off one Thermal pad and place on top of your M.2 (chip side) covering the full length of your M.2.
Place 4 provided rubber feet in the position shown on the back of your M.2 module shown.



Equal Space protruding on both end



4. Place the heat sink right in the middle on top of your M.2 module covering the whole thermal pad shown.
Using the 4 thumbscrews to secure the High Fins Heat Sink to the base shown.



5. Check the fit to make sure the heat sink makes good contact over the thermal pad.
Your M.2 is ready to be installed into your system board M.2 socket.

NOTE:

If your M.2 already has existing data, once installed, you should see your data.

If your M.2 is NEW (no data), you will need to prep the storage to hold data.

For instruction refers to the FAQ "How to prepare a New Storage for use with a system" [33406] on our website support section at www.vantecusa.com

www.vantecusa.com

HS-NVME150

Information in this document is subject to change without notice. Reproduction of these materials in any manner whatsoever without written permission is strictly forbidden.



v1.01

Printed on Recycled Paper.
Copyright © 2020 Vantec Thermal Technologies. All Rights Reserved.
All Registered Trademarks Belong to Their Respective Companies.

Thank You

For Choosing VantecUSA Product.

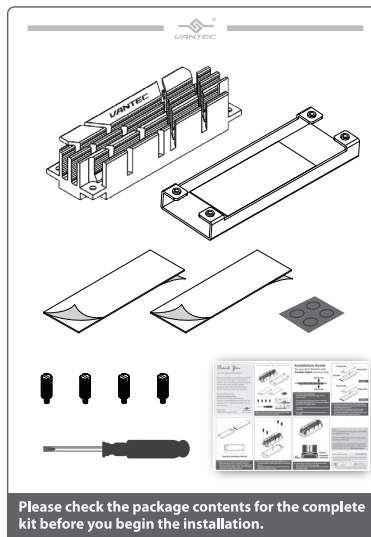
We are committed to providing you with the best service and support. If you have a problem with installing, getting the product to function or other product related question, please feel free to write to us. We will help you answer your question.

You can write to us at :

support@vantecusa.com

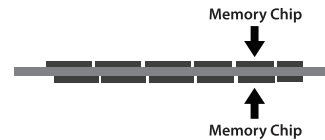
For the latest Drivers, Manual and Frequently Asked Questions (FAQ), they are available at our website at vantecusa.com or write to us.

Thank you,
VantecUSA Support Team.



Please check the package contents for the complete kit before you begin the installation.

Installation Guide for your M.2 Module with Double Sided memory chip

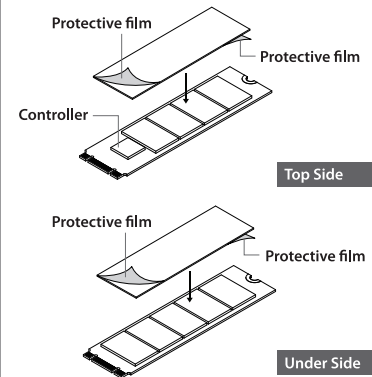


1. Decide the right Install Steps.
Is your M.2 NVMe or M.2 SSD single-sided or double-sided?

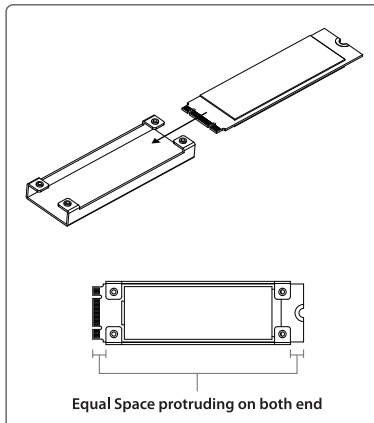
If your M.2 has only memory chips on one side, it is single-sided. If your M.2 has memory chips on both sides, it is double-sided.

For Single-sided M.2 follow the instruction on the back page.

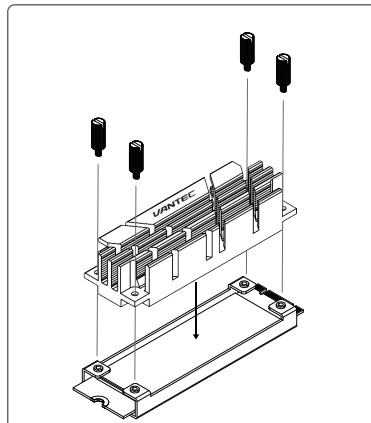
For Double-sided M.2 follow the instruction on this page.



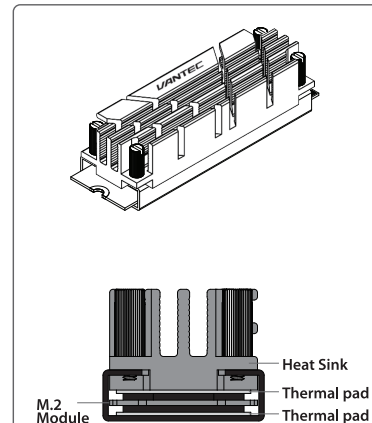
2. Peel the two protective film off one Thermal pad and place on top of your M.2 (chip side) covering the full length of your M.2. Do the same for the back of your M.2 module. Peel the two protective films off the second Thermal pad and place on the bottom side of your M.2 covering the full length of your M.2.



3. Slide your M.2 module into the heat sink base. Make sure the M.2 Key orientation is correct. Align the position of your M.2 in the middle with equal space protruding on both ends so that you can secure it to your M.2 interface.



4. Place the heat sink right in the middle on top of your M.2 module covering the whole thermal pad shown. Using the 4 thumbscrews to secure the High Fins Heat Sink to the base shown.



5. Check the fit to make sure the heat sink makes good contact over the thermal pad. Your M.2 is ready to be installed into your system board M.2 socket.

NOTE:

If your M.2 already has existing data, once installed, you should see your data.

If your M.2 is NEW (no data), you will need to prep the storage to hold data.

For instruction refers to the FAQ "How to prepare a New Storage for use with a system" [33406] on our website support section at www.vantecusa.com

www.vantecusa.com

HS-NVME150

Information in this document is subject to change without notice. Reproduction of these materials in any manner whatsoever without written permission is strictly forbidden.



v1.01

Printed on Recycled Paper.

Copyright © 2020 Vantec Thermal Technologies. All Rights Reserved. All Registered Trademarks Belong to Their Respective Companies.