

# Thank You

For Choosing VantecUSA Product.

We are committed to providing you with the best service and support. If you have a problem with installing, getting the product to function or other product related question, please feel free to write to us. We will help you answer your question.

You can write to us at :

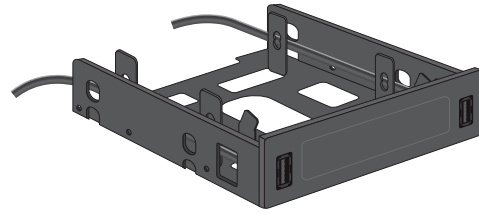
[support@vantecusa.com](mailto:support@vantecusa.com)

For the latest Drivers, Manual and Frequently Asked Questions (FAQ), they are available at our website at [vantecusa.com](http://vantecusa.com) or write to us.

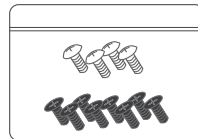
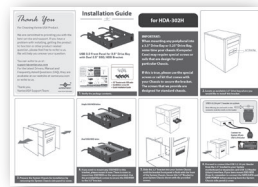
Thank you,  
VantecUSA Support Team.



## Installation Guide



**USB 3.0 Front Panel for 3.5" Drive Bay with Dual 2.5" SSD/HDD Bracket**



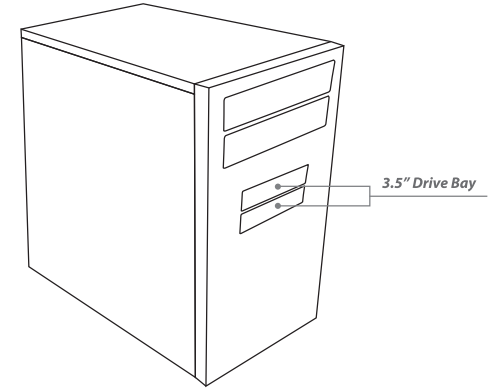
+ 3.5" Bracket with USB cable  
+ installation screws kit  
+ Quick Installation Guide

## for HDA-302H

### IMPORTANT:

When mounting any peripheral into a 3.5" Drive Bay or 5.25" Drive Bay, some time your chassis (Computer Case) may require special screws or rails that are design for your particular Chassis.

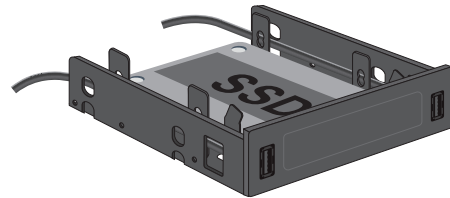
If this is true, please use the special screws or rail kit that comes with your Chassis to secure the bracket. The screws that we provide are designed for standard chassis.



2. Locate an available 3.5" drive bay where you would like to install this bracket.

1. Verify the package contents.

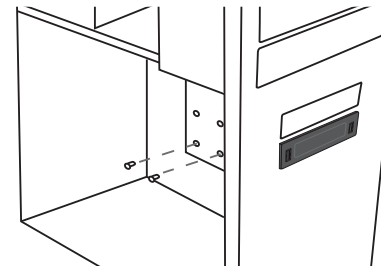
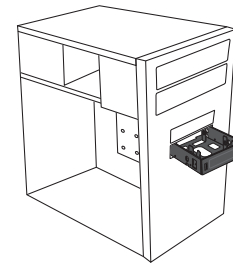
### Single SSD/HDD drive



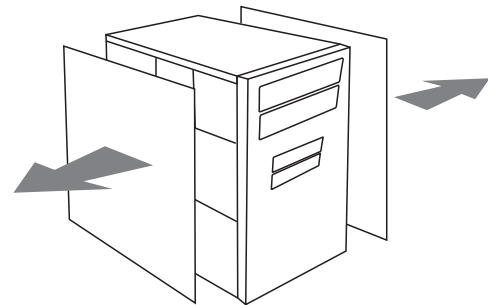
### Dual SSD/HDD drive



4. If you need to mount any SSD/HDD to this bracket, please mount it now. There is room to mount two SSD/HDD on the space provided. Use the provided black screws to secure the SSD/HDD to the 3.5" bracket.



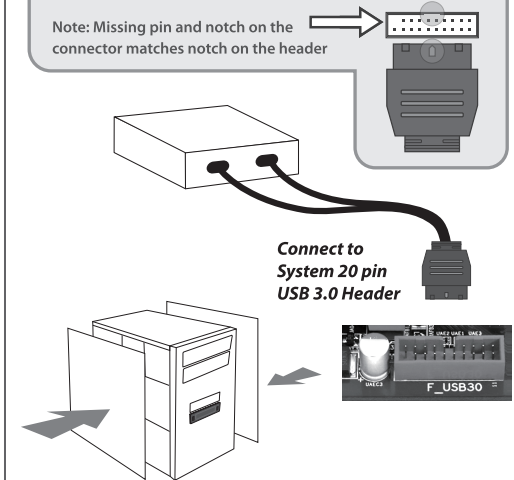
5. Slide the 3.5" bracket into your System Chassis until the bracket front panel is flush with the front of the System Chassis. Secure this 3.5" Bracket to your System Chassis shown with the provided screws.



3. Prepare the System Chassis for installation by removing the System Chassis side panel (s) cover.

### USB 3.0 (20-pin\*) header on system

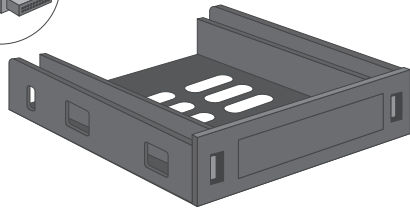
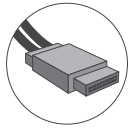
Note: Missing pin and notch on the connector matches notch on the header



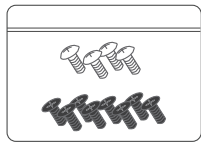
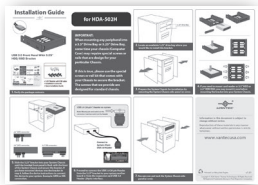
Connect to System 20 pin USB 3.0 Header

6. Proceed to connect the USB 3.0 20 pin Header from the 3.5" bracket to your System motherboard or expansion card USB 3.0 Header (20pin) interface. If you have mount SSD/HDD (Step 4), remember to connect the SATA DATA and SATA POWER before securing back the System Chassis side panel(s) cover.

# Installation Guide



**USB 3.0 Front Panel With 5.25" HDD/SSD Bracket**



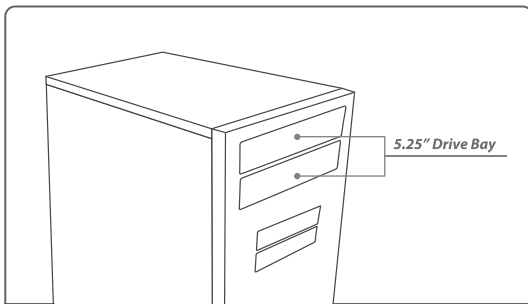
- + 5.25" Bracket with USB cable
- + installation screws kit
- + Quick Installation Guide

**1. Verify the package contents.**

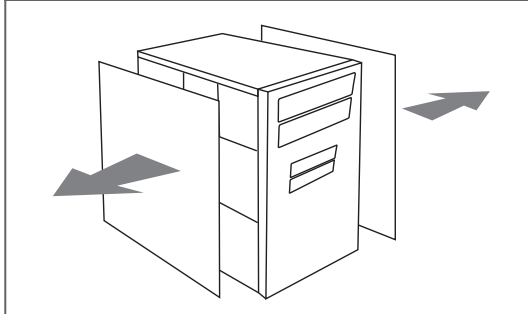
## for HDA-502H

**IMPORTANT:**  
When mounting any peripheral into a 3.5" Drive Bay or 5.25" Drive Bay, some time your chassis (Computer Case) may require special screws or rails that are design for your particular Chassis.

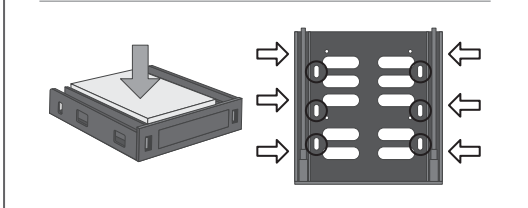
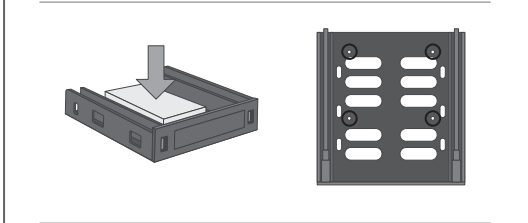
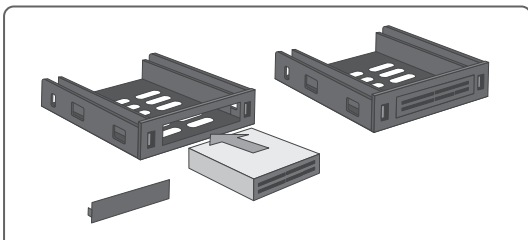
If this is true, please use the special screws or rail kit that comes with your Chassis to secure the bracket. The screws that we provide are designed for standard chassis.



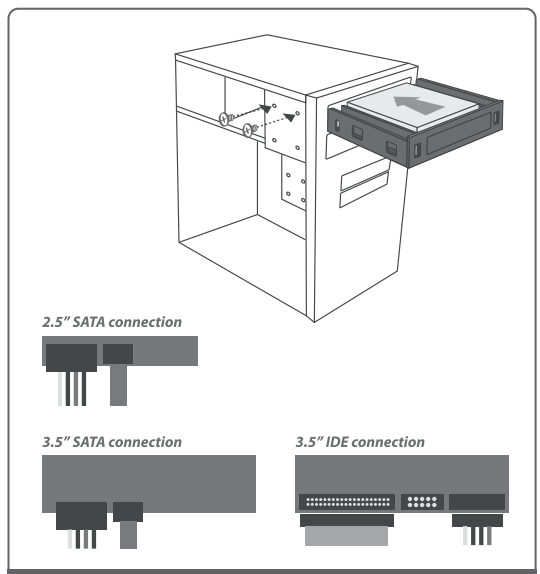
**2. Locate an available 5.25" drive bay where you would like to install this bracket.**



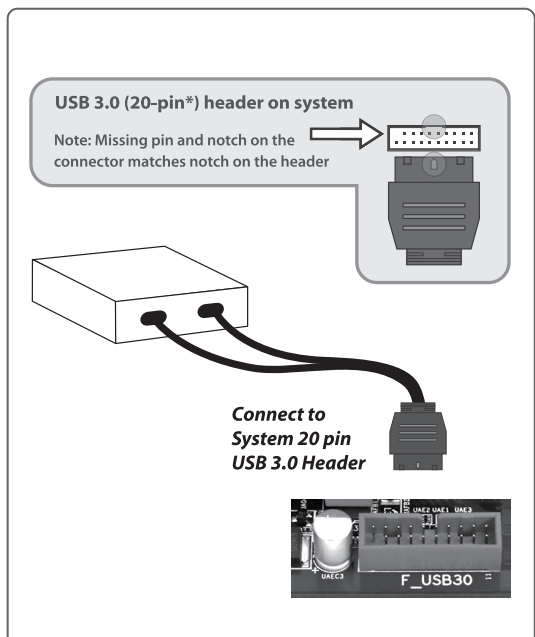
**3. Prepare the System Chassis for installation by removing the System Chassis side panel (s) cover.**



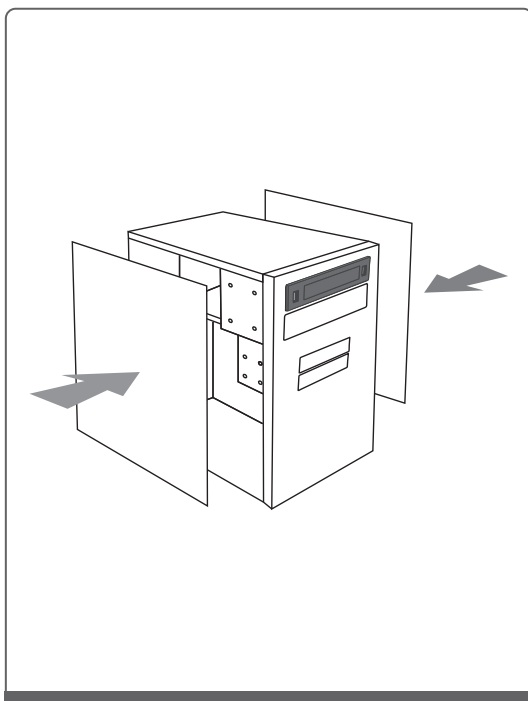
**4. If you need to mount card reader or 3.5" HDD or 2.5" HDD/SSD, you may mount it now before mounting the bracket into your System Chassis.**



**5. Slide the 5.25" bracket into your System Chassis until the bracket front panel is flush with the front of the System Chassis and secure the bracket. If you have mounted devices into the bracket in step 4, follow the device instructions to connect the device to your system. Example: SATA or IDE connection.**



**6. Proceed to connect the USB 3.0 20 pin Header from the 5.25" bracket to your system motherboard or from the expansion card USB 3.0 Header (20pin) interface.**



**7. You can now put back the System Chassis side panel(s) cover.**



**Information in this document is subject to change without notice.**

Reproduction of these materials in any manner whatsoever without written permission is strictly forbidden.

[www.vantecusa.com](http://www.vantecusa.com)



Printed on Recycled Paper.

v1.01

Copyright © 2020 Vantec Thermal Technologies. All Rights Reserved. All Registered Trademarks Belong to Their Respective Companies.